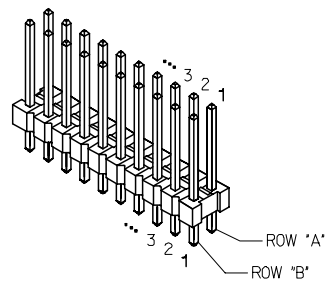
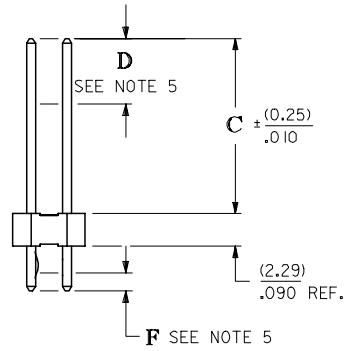
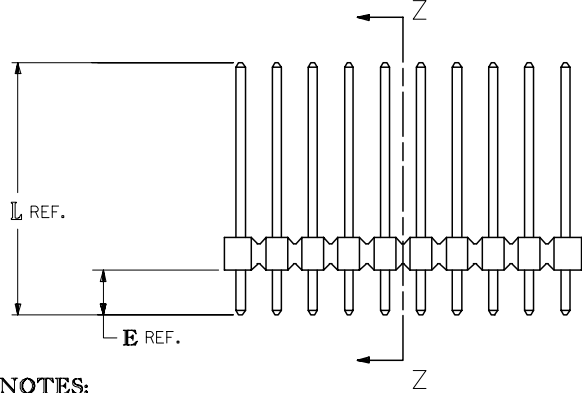


**SECTION Z-Z - RETENTION PIN DETAIL**  
2 CONTACTS LOCATED ON CENTER OF SAME ROW  
(SEE NOTE 6)



**VIEW "A"**

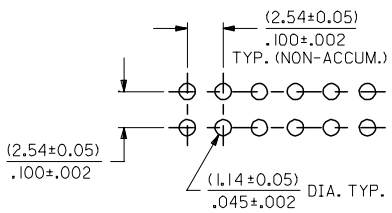
| NO. OF CKTS. | DIM. A REF. |       | DIM. B REF. |       |
|--------------|-------------|-------|-------------|-------|
|              | MM          | IN.   | MM          | IN.   |
| 4            | 4.83        | .190  | 2.54        | .100  |
| 6            | 7.37        | .290  | 5.08        | .200  |
| 8            | 9.91        | .390  | 7.62        | .300  |
| 10           | 12.45       | .490  | 10.16       | .400  |
| 12           | 14.99       | .590  | 12.70       | .500  |
| 14           | 17.53       | .690  | 15.24       | .600  |
| 16           | 20.07       | .790  | 17.78       | .700  |
| 18           | 22.61       | .890  | 20.32       | .800  |
| 20           | 25.15       | .990  | 22.86       | .900  |
| 22           | 27.69       | 1.090 | 25.40       | 1.000 |
| 24           | 30.23       | 1.190 | 27.94       | 1.100 |
| 26           | 32.77       | 1.290 | 30.48       | 1.200 |
| 28           | 35.31       | 1.390 | 33.02       | 1.300 |
| 30           | 37.85       | 1.490 | 35.56       | 1.400 |
| 32           | 40.39       | 1.590 | 38.10       | 1.500 |
| 34           | 42.93       | 1.690 | 40.64       | 1.600 |
| 36           | 45.47       | 1.790 | 43.18       | 1.700 |
| 38           | 48.01       | 1.890 | 45.72       | 1.800 |
| 40           | 50.55       | 1.990 | 48.26       | 1.900 |
| 42           | 53.09       | 2.090 | 50.80       | 2.000 |
| 44           | 55.63       | 2.190 | 53.34       | 2.100 |
| 46           | 58.17       | 2.290 | 55.88       | 2.200 |
| 48           | 60.71       | 2.390 | 58.42       | 2.300 |
| 50           | 63.25       | 2.490 | 60.96       | 2.400 |
| 52           | 65.79       | 2.590 | 63.50       | 2.500 |
| 54           | 68.33       | 2.690 | 66.04       | 2.600 |
| 56           | 70.87       | 2.790 | 68.58       | 2.700 |
| 58           | 73.41       | 2.890 | 71.12       | 2.800 |
| 60           | 75.95       | 2.990 | 73.66       | 2.900 |
| 62           | 78.49       | 3.090 | 76.20       | 3.000 |
| 64           | 81.03       | 3.190 | 78.74       | 3.100 |
| 66           | 83.57       | 3.290 | 81.28       | 3.200 |
| 68           | 86.11       | 3.390 | 83.82       | 3.300 |
| 70           | 88.65       | 3.490 | 86.36       | 3.400 |
| 72           | 91.19       | 3.590 | 88.90       | 3.500 |
| 74           | 93.73       | 3.690 | 91.44       | 3.600 |
| 76           | 96.27       | 3.790 | 93.98       | 3.700 |
| 78           | 98.81       | 3.890 | 96.52       | 3.800 |
| 80           | 101.35      | 3.990 | 99.06       | 3.900 |

**NOTES:**

- MATERIAL: WAFER - GLASS FILLED POLYESTER, UL94V-0, COLOR: BLACK  
PIN - PHOSPHOR BRONZE
- FINISH: (TIN)  
OVERALL TIN: (0.0038)/.000150 MIN.,  
OVERALL NICKEL UNDERPLATE: (0.00127)/.000050 MIN.,  
(15 GOLD) SELECT GOLD: (0.00038)/.000015 MIN.,  
SELECT TIN: (0.00191)/.000075 MIN.,  
OVERALL NICKEL UNDERPLATE: (0.00127)/.000050 MIN.,  
(30 GOLD) SELECT GOLD: (0.00076)/.000030 MIN.,  
SELECT TIN: (0.00191)/.000075 MIN.,  
OVERALL NICKEL UNDERPLATE: (0.00127)/.000050 MIN.
- \*THE PRIMARY SHIPPING CARTON WILL BE LABELED \*COMPLIANT TO  
RoHS DIRECTIVE 2002/95/EC AND ELV ANNEX II OF DIRECTIVE 2000/53/EC.\*  
CARTONS WITHOUT THIS LABEL MAY CONTAIN PRODUCT WITH LEAD.
- THIS PRODUCT CONFORMS TO PRODUCT SPECIFICATION PS-8624.
- PACKAGING INFORMATION: (UNLESS OTHERWISE NOTED IN TABLES)  
PARTS TO BE PACKAGED PER PK-70873-0353. BULK PACK WITH ANTISTATIC BAGS.
- MEASURE POINT FOR PLATING THICKNESS.
- RETENTIVE TAIL LOCATIONS (SEE VIEW "A")

| NUMBER OF CIRCUITS IN ROW B | RETENTIVE TAIL LOCATIONS   |
|-----------------------------|--|
| EVEN NUMBER                 | 2 PINS IN THE MIDDLE OF ROW B  |
| ODD NUMBER                  | PIN IN THE CENTER OF ROW B AND ONE OTHER PIN IN ROW B ON EITHER SIDE OF THE CENTER PIN |

- PIN PUSHOUT FORCE: 4 LBS. MIN. (IN EITHER DIRECTION)
- FOR ILLUSTRATION PURPOSES, 20 (DUAL 10) CIRCUIT SIZE IS SHOWN.
- PINS MUST MEET SOLDERABILITY SPEC. SMES-152, EXCEPT VOIDS ARE PERMISSIBLE AT BANDOLIER PIN FAYING SURFACE. (APPROXIMATELY (0.64)/.025 LNG X (0.15)/.006 WIDE REF.)
- WAFER TO BE FLAT WITHIN (0.003 MM/MM)/.003 IN./IN.
- FOR ASSEMBLIES WITH VOIDED PINS, SEE DRAWING NUMBER SDA-70287-5001-9999.
- PARTS CONFORM TO CLASS B REQUIREMENTS OF COSMETIC SPECIFICATION PS-45499-002.



**RECOMMENDED P.C. BOARD HOLE LAYOUT**

**UPDATE TITLE BLOCK**  
EC NO: UCP2007-0511  
DRAWN: ADERR 2006/12/24  
CHKD: LSCHMIDT 2007/01/09  
APPR: FSM TH 2007/01/10

QUALITY SYMBOLS  
▽=0  
▽=0

| GENERAL TOLERANCES (UNLESS SPECIFIED) |        |
|---------------------------------------|--------|
| mm                                    | INCH   |
| 4 PLACES ± ---                        | ± ---  |
| 3 PLACES ± ---                        | ± .005 |
| 2 PLACES ± 0.13                       | ± .01  |
| 1 PLACE ± 0.25                        | ± ---  |
| ANGULAR ±1/2°                         |        |

DIMENSION STYLE: MM/IN  
SCALE: 4:1  
DESIGN UNITS: INCH  
THIRD ANGLE PROJECTION

DRAWN BY: SMR DATE: 1993/06/02  
CHECKED BY: SMR DATE: 1993/06/02  
APPROVED BY: DATE: 1993/06/02

MATERIAL NO.: SEE CHART  
DOCUMENT NO.: SDA-70287-0001-5000

TITLE: SALES ASSEMBLY DUAL ROW .025 SQ. PINS/.100 GRID W/RETENTION PINS

**MOLEX** MOLEX INCORPORATED

SHEET NO.: 1 OF 2

THIS DRAWING CONTAINS INFORMATION THAT IS PROPRIETARY TO MOLEX INCORPORATED AND SHOULD NOT BE USED WITHOUT WRITTEN PERMISSION

|    |                               |                         |             |              |                   |                        |  |                       |             |                        |             |  |  |   |  |   |  |   |  |   |  |   |  |   |  |  |
|----|-------------------------------|-------------------------|-------------|--------------|-------------------|------------------------|--|-----------------------|-------------|------------------------|-------------|--|--|---|--|---|--|---|--|---|--|---|--|---|--|--|
| 13 |                               | 12                      |             | 11           |                   | 10                     |  | 9                     |             | 8                      |             | 7  |  | 6 |  | 5 |  | 4 |  | 3 |  | 2 |  | 1 |  |  |
| J  | ENGINEERING NUMBER<br>A-70287 | RELEASE FOR MANUFACTURE | E REF.      | L REF.       | C ± (0.25) / .010 | RETENTIVE PIN LOCATION | PLATING TYPE SEE CODES LISTED ON SHEET 1 | CONNECTOR END PLATING |             | P.C. BOARD END PLATING |             | FOR PACKAGING INFORMATION SEE NOTE 4, SHEET 1 UNLESS SPECIFIED BELOW |  |   |  |   |  |   |  |   |  |   |  |   |  |  |
|    | -0002/-0040                   | R.F.M.                  | (3.18) .125 | (11.56) .455 | (6.10) .240       | SEE NOTE 6, SHEET 1    | TIN                                      | TIN                   | (2.54) .100 | TIN                    | (1.27) .050 |  |  |   |  |   |  |   |  |   |  |   |  |   |  |  |
|    | -0042/-0080                   | R.F.M.                  | (3.18) .125 | (13.59) .535 | (8.13) .320       | SEE NOTE 6, SHEET 1    | TIN                                      | TIN                   | (4.57) .180 | TIN                    | (1.27) .050 |  |  |   |  |   |  |   |  |   |  |   |  |   |  |  |
|    | -0082/-0120                   | R.F.M.                  | (3.18) .125 | (11.56) .455 | (6.10) .240       | SEE NOTE 6, SHEET 1    | 15 GOLD                                  | GOLD                  | (2.54) .100 | TIN                    | (1.27) .050 |  |  |   |  |   |  |   |  |   |  |   |  |   |  |  |
|    | -0122/-0160                   | R.F.M.                  | (3.18) .125 | (13.59) .535 | (8.13) .320       | SEE NOTE 6, SHEET 1    | 15 GOLD                                  | GOLD                  | (4.57) .180 | TIN                    | (1.27) .050 |  |  |   |  |   |  |   |  |   |  |   |  |   |  |  |
|    | -0162/-0200                   | R.F.M.                  | (3.18) .125 | (11.56) .455 | (6.10) .240       | SEE NOTE 6, SHEET 1    | 30 GOLD                                  | GOLD                  | (2.54) .100 | TIN                    | (1.27) .050 |  |  |   |  |   |  |   |  |   |  |   |  |   |  |  |
|    | -0202/-0240                   | R.F.M.                  | (3.18) .125 | (13.59) .535 | (8.13) .320       | SEE NOTE 6, SHEET 1    | 30 GOLD                                  | GOLD                  | (4.57) .180 | TIN                    | (1.27) .050 |  |  |   |  |   |  |   |  |   |  |   |  |   |  |  |
| H  | -0242/-0280                   |                         |             |              |                   |                        |  |                       |             |                        |             |  |  |   |  |   |  |   |  |   |  |   |  |   |  |  |

|      |            |              |            |              |            |              |            |              |            |              |            |              |            |              |            |              |            |              |            |              |            |              |            |              |            |              |            |              |            |              |            |              |            |              |            |              |            |              |            |              |            |              |            |              |            |              |            |              |            |              |            |              |            |              |            |              |            |              |            |              |            |              |            |              |            |              |            |              |            |              |            |              |            |              |            |              |            |              |            |              |            |              |            |              |            |              |            |              |            |              |            |              |            |              |            |              |            |              |            |              |            |              |            |              |            |              |            |              |            |              |            |              |            |              |            |              |            |              |            |              |            |              |            |              |            |              |            |              |            |              |            |              |            |              |            |              |            |              |            |              |            |              |            |              |            |              |            |              |            |              |            |              |            |              |            |              |            |              |            |              |            |              |            |              |            |              |            |              |            |              |            |              |            |              |            |              |            |              |            |              |            |              |            |              |            |              |            |              |            |              |            |              |            |              |            |              |            |              |            |              |            |              |            |              |            |              |            |              |            |              |            |              |            |              |            |              |            |              |            |              |            |              |            |              |            |              |            |              |            |              |            |              |            |              |            |              |            |              |            |              |            |              |            |              |            |              |            |              |            |              |            |              |            |              |            |              |            |              |            |              |            |              |            |              |            |              |            |              |            |              |            |              |            |              |            |              |            |              |            |              |            |              |            |              |            |              |            |              |            |              |            |              |            |              |            |              |            |              |            |              |            |              |            |              |            |              |            |              |            |              |            |              |            |              |            |              |            |              |            |              |            |              |            |              |            |              |            |              |            |              |            |              |            |              |            |              |            |              |            |              |            |              |            |              |            |              |            |              |            |              |            |              |            |              |            |              |            |              |            |              |            |              |            |              |            |              |            |              |            |              |            |              |            |              |            |              |            |              |            |              |            |              |            |              |            |              |            |              |            |              |            |              |            |              |            |              |            |              |            |              |            |              |            |              |            |              |            |              |            |              |            |              |            |              |            |              |            |              |            |              |            |              |            |              |            |              |            |              |            |              |            |              |            |              |            |              |            |              |            |              |            |              |            |              |            |              |            |              |            |              |            |              |            |              |            |              |            |              |            |              |            |              |            |              |            |              |            |              |            |              |            |              |            |              |            |              |            |              |            |              |            |              |            |              |            |              |            |              |            |              |            |              |            |              |            |              |            |              |            |              |            |               |
|------|------------|--------------|------------|--------------|------------|--------------|------------|--------------|------------|--------------|------------|--------------|------------|--------------|------------|--------------|------------|--------------|------------|--------------|------------|--------------|------------|--------------|------------|--------------|------------|--------------|------------|--------------|------------|--------------|------------|--------------|------------|--------------|------------|--------------|------------|--------------|------------|--------------|------------|--------------|------------|--------------|------------|--------------|------------|--------------|------------|--------------|------------|--------------|------------|--------------|------------|--------------|------------|--------------|------------|--------------|------------|--------------|------------|--------------|------------|--------------|------------|--------------|------------|--------------|------------|--------------|------------|--------------|------------|--------------|------------|--------------|------------|--------------|------------|--------------|------------|--------------|------------|--------------|------------|--------------|------------|--------------|------------|--------------|------------|--------------|------------|--------------|------------|--------------|------------|--------------|------------|--------------|------------|--------------|------------|--------------|------------|--------------|------------|--------------|------------|--------------|------------|--------------|------------|--------------|------------|--------------|------------|--------------|------------|--------------|------------|--------------|------------|--------------|------------|--------------|------------|--------------|------------|--------------|------------|--------------|------------|--------------|------------|--------------|------------|--------------|------------|--------------|------------|--------------|------------|--------------|------------|--------------|------------|--------------|------------|--------------|------------|--------------|------------|--------------|------------|--------------|------------|--------------|------------|--------------|------------|--------------|------------|--------------|------------|--------------|------------|--------------|------------|--------------|------------|--------------|------------|--------------|------------|--------------|------------|--------------|------------|--------------|------------|--------------|------------|--------------|------------|--------------|------------|--------------|------------|--------------|------------|--------------|------------|--------------|------------|--------------|------------|--------------|------------|--------------|------------|--------------|------------|--------------|------------|--------------|------------|--------------|------------|--------------|------------|--------------|------------|--------------|------------|--------------|------------|--------------|------------|--------------|------------|--------------|------------|--------------|------------|--------------|------------|--------------|------------|--------------|------------|--------------|------------|--------------|------------|--------------|------------|--------------|------------|--------------|------------|--------------|------------|--------------|------------|--------------|------------|--------------|------------|--------------|------------|--------------|------------|--------------|------------|--------------|------------|--------------|------------|--------------|------------|--------------|------------|--------------|------------|--------------|------------|--------------|------------|--------------|------------|--------------|------------|--------------|------------|--------------|------------|--------------|------------|--------------|------------|--------------|------------|--------------|------------|--------------|------------|--------------|------------|--------------|------------|--------------|------------|--------------|------------|--------------|------------|--------------|------------|--------------|------------|--------------|------------|--------------|------------|--------------|------------|--------------|------------|--------------|------------|--------------|------------|--------------|------------|--------------|------------|--------------|------------|--------------|------------|--------------|------------|--------------|------------|--------------|------------|--------------|------------|--------------|------------|--------------|------------|--------------|------------|--------------|------------|--------------|------------|--------------|------------|--------------|------------|--------------|------------|--------------|------------|--------------|------------|--------------|------------|--------------|------------|--------------|------------|--------------|------------|--------------|------------|--------------|------------|--------------|------------|--------------|------------|--------------|------------|--------------|------------|--------------|------------|--------------|------------|--------------|------------|--------------|------------|--------------|------------|--------------|------------|--------------|------------|--------------|------------|--------------|------------|--------------|------------|--------------|------------|--------------|------------|--------------|------------|--------------|------------|--------------|------------|--------------|------------|--------------|------------|--------------|------------|--------------|------------|--------------|------------|--------------|------------|--------------|------------|--------------|------------|--------------|------------|--------------|------------|--------------|------------|--------------|------------|--------------|------------|--------------|------------|--------------|------------|--------------|------------|--------------|------------|--------------|------------|--------------|------------|--------------|------------|--------------|------------|--------------|------------|--------------|------------|--------------|------------|--------------|------------|--------------|------------|--------------|------------|--------------|------------|--------------|------------|--------------|------------|--------------|------------|--------------|------------|--------------|------------|--------------|------------|--------------|------------|--------------|------------|--------------|------------|--------------|------------|--------------|------------|--------------|------------|--------------|------------|--------------|------------|--------------|------------|--------------|------------|--------------|------------|--------------|------------|--------------|------------|--------------|------------|--------------|------------|---------------|
| CKTS | EDP NUMBER | ENG NUMBER   | EDP NUMBER | ENG NUMBER   | EDP NUMBER | ENG NUMBER   | EDP NUMBER | ENG NUMBER   | EDP NUMBER | ENG NUMBER   | EDP NUMBER | ENG NUMBER   | EDP NUMBER | ENG NUMBER   | EDP NUMBER | ENG NUMBER   | EDP NUMBER | ENG NUMBER   | EDP NUMBER | ENG NUMBER   | EDP NUMBER | ENG NUMBER   | EDP NUMBER | ENG NUMBER   | EDP NUMBER | ENG NUMBER   | CKTS       |              |            |              |            |              |            |              |            |              |            |              |            |              |            |              |            |              |            |              |            |              |            |              |            |              |            |              |            |              |            |              |            |              |            |              |            |              |            |              |            |              |            |              |            |              |            |              |            |              |            |              |            |              |            |              |            |              |            |              |            |              |            |              |            |              |            |              |            |              |            |              |            |              |            |              |            |              |            |              |            |              |            |              |            |              |            |              |            |              |            |              |            |              |            |              |            |              |            |              |            |              |            |              |            |              |            |              |            |              |            |              |            |              |            |              |            |              |            |              |            |              |            |              |            |              |            |              |            |              |            |              |            |              |            |              |            |              |            |              |            |              |            |              |            |              |            |              |            |              |            |              |            |              |            |              |            |              |            |              |            |              |            |              |            |              |            |              |            |              |            |              |            |              |            |              |            |              |            |              |            |              |            |              |            |              |            |              |            |              |            |              |            |              |            |              |            |              |            |              |            |              |            |              |            |              |            |              |            |              |            |              |            |              |            |              |            |              |            |              |            |              |            |              |            |              |            |              |            |              |            |              |            |              |            |              |            |              |            |              |            |              |            |              |            |              |            |              |            |              |            |              |            |              |            |              |            |              |            |              |            |              |            |              |            |              |            |              |            |              |            |              |            |              |            |              |            |              |            |              |            |              |            |              |            |              |            |              |            |              |            |              |            |              |            |              |            |              |            |              |            |              |            |              |            |              |            |              |            |              |            |              |            |              |            |              |            |              |            |              |            |              |            |              |            |              |            |              |            |              |            |              |            |              |            |              |            |              |            |              |            |              |            |              |            |              |            |              |            |              |            |              |            |              |            |              |            |              |            |              |            |              |            |              |            |              |            |              |            |              |            |              |            |              |            |              |            |              |            |              |            |              |            |              |            |              |            |              |            |              |            |              |            |              |            |              |            |              |            |              |            |              |            |              |            |              |            |              |            |              |            |              |            |              |            |              |            |              |            |              |            |              |            |              |            |              |            |              |            |              |            |              |            |              |            |              |            |              |            |              |            |              |            |              |            |              |            |              |            |              |            |              |            |              |            |              |            |              |            |              |            |              |            |              |            |              |            |              |            |              |            |              |            |              |            |               |
| 04   | 10-96-7043 | A-70287-0002 | 10-96-7044 | A-70287-0042 | 10-96-7045 | A-70287-0082 | 10-96-7046 | A-70287-0122 | 10-96-7047 | A-70287-0162 | 10-96-7048 | A-70287-0202 | 10-96-7049 | A-70287-0242 | 10-96-7050 | A-70287-0280 | 10-96-7051 | A-70287-0320 | 10-96-7052 | A-70287-0360 | 10-96-7053 | A-70287-0400 | 10-96-7054 | A-70287-0440 | 10-96-7055 | A-70287-0480 | 10-96-7056 | A-70287-0520 | 10-96-7057 | A-70287-0560 | 10-96-7058 | A-70287-0600 | 10-96-7059 | A-70287-0640 | 10-96-7060 | A-70287-0680 | 10-96-7061 | A-70287-0720 | 10-96-7062 | A-70287-0760 | 10-96-7063 | A-70287-0800 | 10-96-7064 | A-70287-0840 | 10-96-7065 | A-70287-0880 | 10-96-7066 | A-70287-0920 | 10-96-7067 | A-70287-0960 | 10-96-7068 | A-70287-1000 | 10-96-7069 | A-70287-1040 | 10-96-7070 | A-70287-1080 | 10-96-7071 | A-70287-1120 | 10-96-7072 | A-70287-1160 | 10-96-7073 | A-70287-1200 | 10-96-7074 | A-70287-1240 | 10-96-7075 | A-70287-1280 | 10-96-7076 | A-70287-1320 | 10-96-7077 | A-70287-1360 | 10-96-7078 | A-70287-1400 | 10-96-7079 | A-70287-1440 | 10-96-7080 | A-70287-1480 | 10-96-7081 | A-70287-1520 | 10-96-7082 | A-70287-1560 | 10-96-7083 | A-70287-1600 | 10-96-7084 | A-70287-1640 | 10-96-7085 | A-70287-1680 | 10-96-7086 | A-70287-1720 | 10-96-7087 | A-70287-1760 | 10-96-7088 | A-70287-1800 | 10-96-7089 | A-70287-1840 | 10-96-7090 | A-70287-1880 | 10-96-7091 | A-70287-1920 | 10-96-7092 | A-70287-1960 | 10-96-7093 | A-70287-2000 | 10-96-7094 | A-70287-2040 | 10-96-7095 | A-70287-2080 | 10-96-7096 | A-70287-2120 | 10-96-7097 | A-70287-2160 | 10-96-7098 | A-70287-2200 | 10-96-7099 | A-70287-2240 | 10-96-7100 | A-70287-2280 | 10-96-7101 | A-70287-2320 | 10-96-7102 | A-70287-2360 | 10-96-7103 | A-70287-2400 | 10-96-7104 | A-70287-2440 | 10-96-7105 | A-70287-2480 | 10-96-7106 | A-70287-2520 | 10-96-7107 | A-70287-2560 | 10-96-7108 | A-70287-2600 | 10-96-7109 | A-70287-2640 | 10-96-7110 | A-70287-2680 | 10-96-7111 | A-70287-2720 | 10-96-7112 | A-70287-2760 | 10-96-7113 | A-70287-2800 | 10-96-7114 | A-70287-2840 | 10-96-7115 | A-70287-2880 | 10-96-7116 | A-70287-2920 | 10-96-7117 | A-70287-2960 | 10-96-7118 | A-70287-3000 | 10-96-7119 | A-70287-3040 | 10-96-7120 | A-70287-3080 | 10-96-7121 | A-70287-3120 | 10-96-7122 | A-70287-3160 | 10-96-7123 | A-70287-3200 | 10-96-7124 | A-70287-3240 | 10-96-7125 | A-70287-3280 | 10-96-7126 | A-70287-3320 | 10-96-7127 | A-70287-3360 | 10-96-7128 | A-70287-3400 | 10-96-7129 | A-70287-3440 | 10-96-7130 | A-70287-3480 | 10-96-7131 | A-70287-3520 | 10-96-7132 | A-70287-3560 | 10-96-7133 | A-70287-3600 | 10-96-7134 | A-70287-3640 | 10-96-7135 | A-70287-3680 | 10-96-7136 | A-70287-3720 | 10-96-7137 | A-70287-3760 | 10-96-7138 | A-70287-3800 | 10-96-7139 | A-70287-3840 | 10-96-7140 | A-70287-3880 | 10-96-7141 | A-70287-3920 | 10-96-7142 | A-70287-3960 | 10-96-7143 | A-70287-4000 | 10-96-7144 | A-70287-4040 | 10-96-7145 | A-70287-4080 | 10-96-7146 | A-70287-4120 | 10-96-7147 | A-70287-4160 | 10-96-7148 | A-70287-4200 | 10-96-7149 | A-70287-4240 | 10-96-7150 | A-70287-4280 | 10-96-7151 | A-70287-4320 | 10-96-7152 | A-70287-4360 | 10-96-7153 | A-70287-4400 | 10-96-7154 | A-70287-4440 | 10-96-7155 | A-70287-4480 | 10-96-7156 | A-70287-4520 | 10-96-7157 | A-70287-4560 | 10-96-7158 | A-70287-4600 | 10-96-7159 | A-70287-4640 | 10-96-7160 | A-70287-4680 | 10-96-7161 | A-70287-4720 | 10-96-7162 | A-70287-4760 | 10-96-7163 | A-70287-4800 | 10-96-7164 | A-70287-4840 | 10-96-7165 | A-70287-4880 | 10-96-7166 | A-70287-4920 | 10-96-7167 | A-70287-4960 | 10-96-7168 | A-70287-5000 | 10-96-7169 | A-70287-5040 | 10-96-7170 | A-70287-5080 | 10-96-7171 | A-70287-5120 | 10-96-7172 | A-70287-5160 | 10-96-7173 | A-70287-5200 | 10-96-7174 | A-70287-5240 | 10-96-7175 | A-70287-5280 | 10-96-7176 | A-70287-5320 | 10-96-7177 | A-70287-5360 | 10-96-7178 | A-70287-5400 | 10-96-7179 | A-70287-5440 | 10-96-7180 | A-70287-5480 | 10-96-7181 | A-70287-5520 | 10-96-7182 | A-70287-5560 | 10-96-7183 | A-70287-5600 | 10-96-7184 | A-70287-5640 | 10-96-7185 | A-70287-5680 | 10-96-7186 | A-70287-5720 | 10-96-7187 | A-70287-5760 | 10-96-7188 | A-70287-5800 | 10-96-7189 | A-70287-5840 | 10-96-7190 | A-70287-5880 | 10-96-7191 | A-70287-5920 | 10-96-7192 | A-70287-5960 | 10-96-7193 | A-70287-6000 | 10-96-7194 | A-70287-6040 | 10-96-7195 | A-70287-6080 | 10-96-7196 | A-70287-6120 | 10-96-7197 | A-70287-6160 | 10-96-7198 | A-70287-6200 | 10-96-7199 | A-70287-6240 | 10-96-7200 | A-70287-6280 | 10-96-7201 | A-70287-6320 | 10-96-7202 | A-70287-6360 | 10-96-7203 | A-70287-6400 | 10-96-7204 | A-70287-6440 | 10-96-7205 | A-70287-6480 | 10-96-7206 | A-70287-6520 | 10-96-7207 | A-70287-6560 | 10-96-7208 | A-70287-6600 | 10-96-7209 | A-70287-6640 | 10-96-7210 | A-70287-6680 | 10-96-7211 | A-70287-6720 | 10-96-7212 | A-70287-6760 | 10-96-7213 | A-70287-6800 | 10-96-7214 | A-70287-6840 | 10-96-7215 | A-70287-6880 | 10-96-7216 | A-70287-6920 | 10-96-7217 | A-70287-6960 | 10-96-7218 | A-70287-7000 | 10-96-7219 | A-70287-7040 | 10-96-7220 | A-70287-7080 | 10-96-7221 | A-70287-7120 | 10-96-7222 | A-70287-7160 | 10-96-7223 | A-70287-7200 | 10-96-7224 | A-70287-7240 | 10-96-7225 | A-70287-7280 | 10-96-7226 | A-70287-7320 | 10-96-7227 | A-70287-7360 | 10-96-7228 | A-70287-7400 | 10-96-7229 | A-70287-7440 | 10-96-7230 | A-70287-7480 | 10-96-7231 | A-70287-7520 | 10-96-7232 | A-70287-7560 | 10-96-7233 | A-70287-7600 | 10-96-7234 | A-70287-7640 | 10-96-7235 | A-70287-7680 | 10-96-7236 | A-70287-7720 | 10-96-7237 | A-70287-7760 | 10-96-7238 | A-70287-7800 | 10-96-7239 | A-70287-7840 | 10-96-7240 | A-70287-7880 | 10-96-7241 | A-70287-7920 | 10-96-7242 | A-70287-7960 | 10-96-7243 | A-70287-8000 | 10-96-7244 | A-70287-8040 | 10-96-7245 | A-70287-8080 | 10-96-7246 | A-70287-8120 | 10-96-7247 | A-70287-8160 | 10-96-7248 | A-70287-8200 | 10-96-7249 | A-70287-8240 | 10-96-7250 | A-70287-8280 | 10-96-7251 | A-70287-8320 | 10-96-7252 | A-70287-8360 | 10-96-7253 | A-70287-8400 | 10-96-7254 | A-70287-8440 | 10-96-7255 | A-70287-8480 | 10-96-7256 | A-70287-8520 | 10-96-7257 | A-70287-8560 | 10-96-7258 | A-70287-8600 | 10-96-7259 | A-70287-8640 | 10-96-7260 | A-70287-8680 | 10-96-7261 | A-70287-8720 | 10-96-7262 | A-70287-8760 | 10-96-7263 | A-70287-8800 | 10-96-7264 | A-70287-8840 | 10-96-7265 | A-70287-8880 | 10-96-7266 | A-70287-8920 | 10-96-7267 | A-70287-8960 | 10-96-7268 | A-70287-9000 | 10-96-7269 | A-70287-9040 | 10-96-7270 | A-70287-9080 | 10-96-7271 | A-70287-9120 | 10-96-7272 | A-70287-9160 | 10-96-7273 | A-70287-9200 | 10-96-7274 | A-70287-9240 | 10-96-7275 | A-70287-9280 | 10-96-7276 | A-70287-9320 | 10-96-7277 | A-70287-9360 | 10-96-7278 | A-70287-9400 | 10-96-7279 | A-70287-9440 | 10-96-7280 | A-70287-9480 | 10-96-7281 | A-70287-9520 | 10-96-7282 | A-70287-9560 | 10-96-7283 | A-70287-9600 | 10-96-7284 | A-70287-9640 | 10-96-7285 | A-70287-9680 | 10-96-7286 | A-70287-9720 | 10-96-7287 | A-70287-9760 | 10-96-7288 | A-70287-9800 | 10-96-7289 | A-70287-9840 | 10-96-7290 | A-70287-9880 | 10-96-7291 | A-70287-9920 | 10-96-7292 | A-70287-9960 | 10-96-7293 | A-70287-10000 |

|   |   |                               |   |  |                          |                      |                        |  |
|---|---|-------------------------------|---|--|--------------------------|----------------------|------------------------|--|
| B | UPDATE TITLE BLOCK<br>FC NO: UCP2007-0511<br>DRAWN: AADER 2006/12/27<br>CHKD: LSHMI DT 2007/01/09<br>APPR: ESM TH 2007/01/10  | QUALITY SYMBOLS<br>▽=0<br>▽=0 | GENERAL TOLERANCES (UNLESS SPECIFIED)<br>mm INCH<br>4 PLACES ± --- ± ---<br>3 PLACES ± --- ± .005<br>2 PLACES ± 0.13 ± .01<br>1 PLACE ± 0.25 ± ---<br>ANGULAR ±1/2° | DIMENSION STYLE<br>IN/MM<br>DRAWN BY DATE<br>SMR 1993/06/02<br>CHECKED BY DATE<br>SMR 1993/06/02<br>APPROVED BY DATE<br>SMR 1993/06/02 | SCALE<br>---<br>INCH     | DESIGN UNITS<br>INCH | THIRD ANGLE PROJECTION | TITLE<br>SALES ASSEMBLY DUAL ROW<br>.025 SQ PINS/.100 GRID<br>W/RETENTION PINS |
|   | MATERIAL NO.<br>DOCUMENT NO.<br>SHEET NO.   | SEE CHART                     | SDA-70287-0001-5000   | 2 OF 2   | MOLEX MOLEX INCORPORATED |                      |                        |  |
|   | DRAFT WHERE APPLICABLE MUST REMAIN WITHIN DIMENSIONS<br>THIS DRAWING CONTAINS INFORMATION THAT IS PROPRIETARY TO MOLEX INCORPORATED AND SHOULD NOT BE USED WITHOUT WRITTEN PERMISSION |                               |   |  |                          |                      |                        |  |